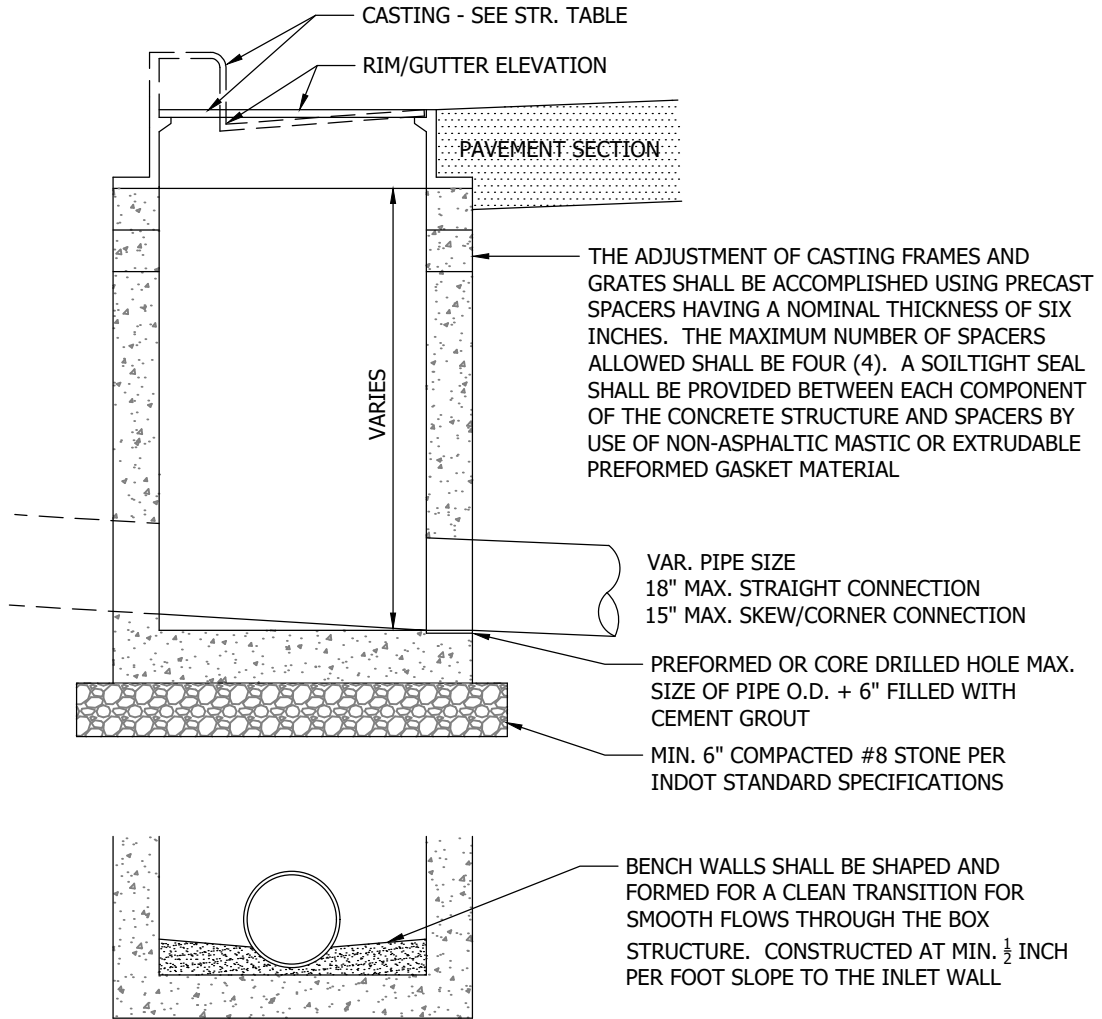


NOTE:
 STORM BOX STRUCTURES SHALL BE PRECAST CLASS A
 CONCRETE WITH A 4000 PSI 28 DAY COMPRESSIVE
 STRENGTH. THE STRUCTURE DESIGN SHALL BE IN
 ACCORDANCE WITH ASTM C890



NOTE: ALL STRUCTURE JOINTS SHALL BE SLICKED WITH NON-SHRINK GROUT

BOX INLET STRUCTURE

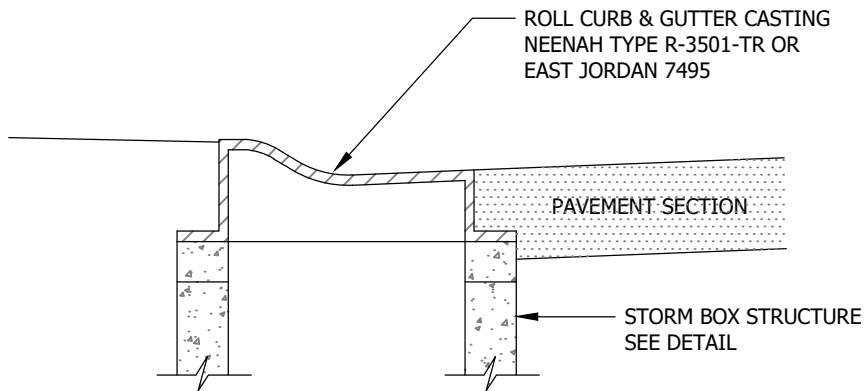
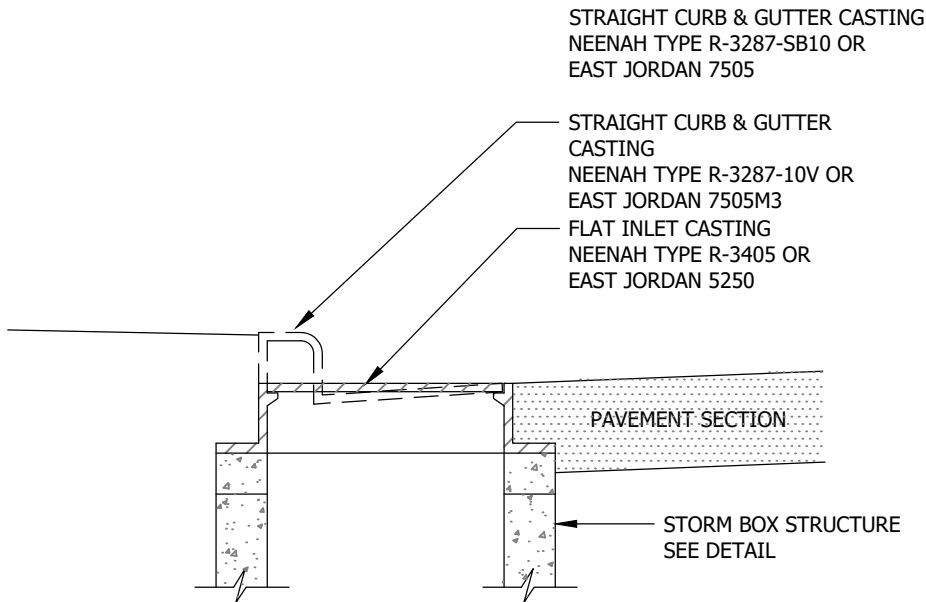
TOWN OF PITTSBORO STANDARD CONSTRUCTION DETAIL



DATE:
 11/25/2020

SCALE:
 NOT TO SCALE

DETAIL NO:
 ST-2



NOTE:
 DUMP NO WASTE DRAINS TO
 WATERWAYS (1/2" HIGH RAISED
 LETTERS) WITH FISH SYMBOL SHALL
 CAST INTO CASTING

STORM INLET CASTINGS

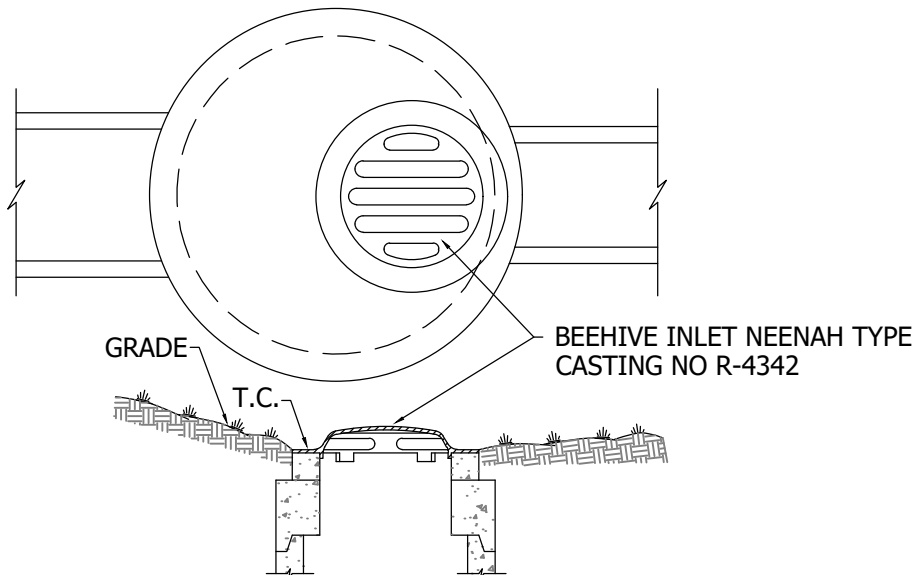
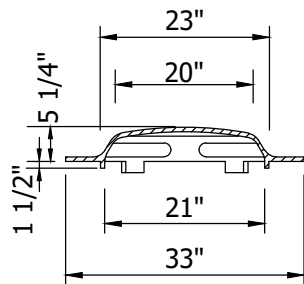


TOWN OF PITTSBORO STANDARD CONSTRUCTION DETAIL

DATE:
 11/25/2020

SCALE:
 NOT TO SCALE

DETAIL NO:
ST-3



BEEHIVE INLET CASTING

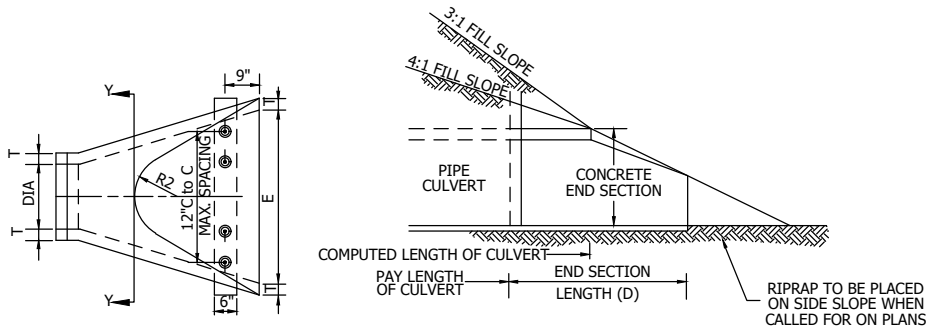


TOWN OF PITTSBORO STANDARD CONSTRUCTION DETAIL

DATE:
11/25/2020

SCALE:
NOT TO SCALE

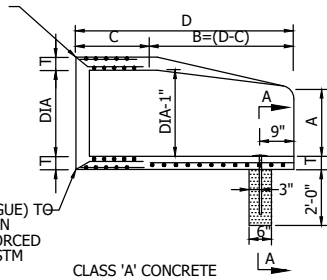
DETAIL NO:
ST-4



PLAN VIEW

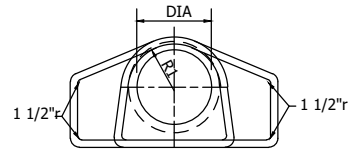
SLOPE DETAIL

GROOVED END ON
OUTLET END TONGUE
END ON INLET END

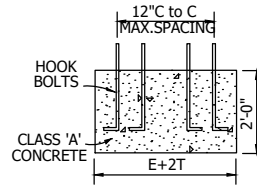


LONGITUDINAL SECTION

GROOVE (OR TONGUE) TO
BE THE SAME AS ON
STANDARD REINFORCED
CONCRETE PIPE ASTM
DESIGNATION C76



SECTION Y-Y



SECTION A-A
CONCRETE PIPE TOE ANCHOR

DIMENSIONS OF CONCRETE END SECTIONS FOR ROUND PIPE										
DIA	T (MIN)	A *	C *	D *	E *	K	R ₁	R ₂	APPROX. WEIGHT	
12"	2"	5"	4'-3"	6'-2"	2'-0"	1.3	10 1/8"	9"	800	
15"	2 1/4"	7"	4'-0"	6'-3"	2'-6"	1.5	12 1/2"	11"	1,100	
18"	2 1/2"	11"	4'-1"	6'-2"	3'-0"	1.8	15 1/2"	12"	1,300	
21"	2 3/4"	11"	3'-6"	6'-3"	3'-6"	2.1	16 1/8"	13"	1,500	
24"	3"	1'-0"	2'-8"	6'-3"	4'-0"	2.3	16 3/16"	14"	1,800	
27"	3 1/4"	1'-1"	2'-5"	6'-3"	4'-6"	2.6	18 1/2"	14 1/2"	2,100	
30"	3 1/2"	1'-2"	1'-10"	6'-3"	5'-0"	2.9	18 3/16"	15"	2,400	
33"	3 3/4"	1'-3"	3'-6"	8'-3"	5'-6"	3.1	18 1/2"	17 1/2"	4,100	
36"	4"	1'-5"	3'-1"	8'-3"	6'-0"	3.4	23 3/4"	20"	4,200	
48"	5"	2'-0"	2'-2"	8'-2"	7'-0"		28 1/8"	22"	6,500	

* TOLERANCE +/- 1"

PRECAST CONCRETE END SECTION

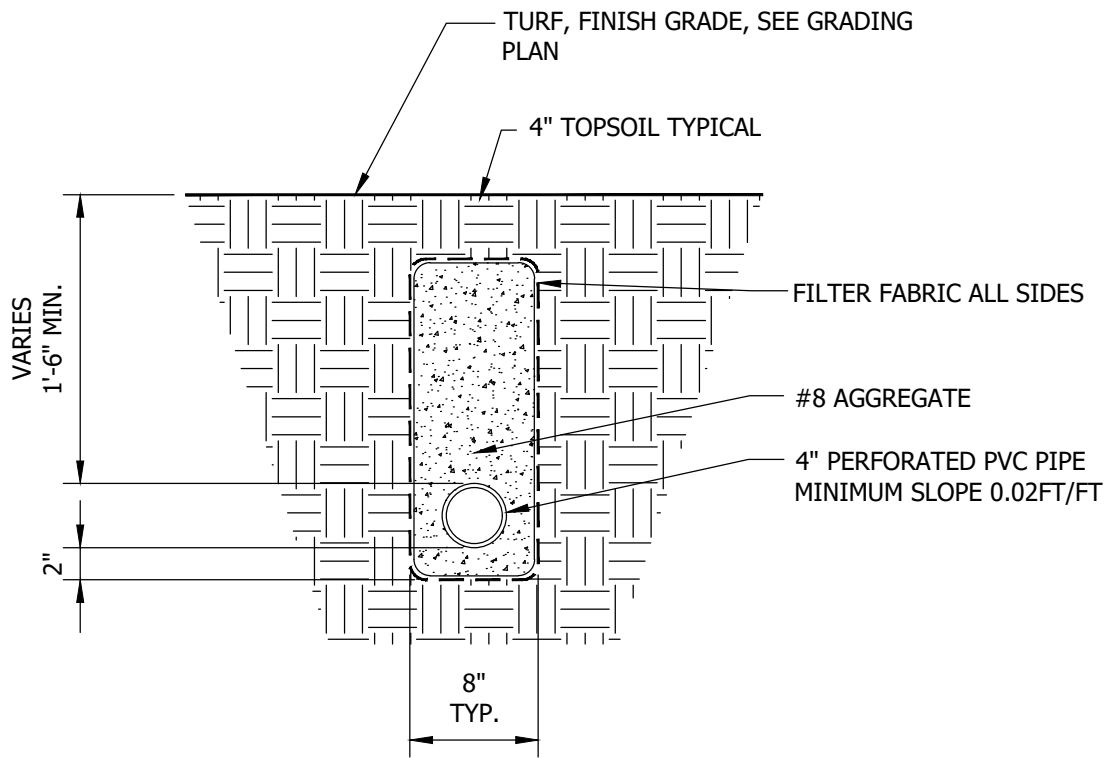


TOWN OF PITTSBORO STANDARD CONSTRUCTION DETAIL

DATE:
11/25/2020

SCALE:
NOT TO SCALE

DETAIL NO:
ST-5



SWALE UNDERDRAIN DETAIL



TOWN OF PITTSBORO STANDARD CONSTRUCTION DETAIL

DATE:
11/25/2020

SCALE:
NOT TO SCALE

DETAIL NO:
ST-6